

# Thank You!

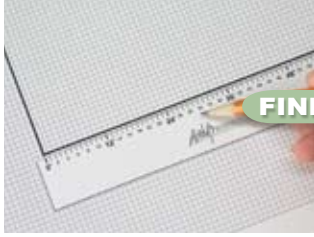
You have successfully downloaded your FREE BIT/SCREW CHART from EZwoodshop.com

**Printing Note:** To print this chart actual size, please set **PAGE SCALING to NONE**.

**SEE CHART NOW**

**ALSO FROM EZ WOODSHOP**

## **EZ WOOD PROJECT PLANNER**



**FIND OUT MORE**

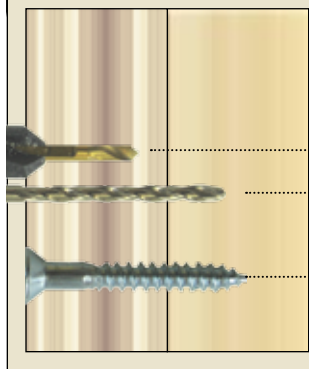
**ALSO FROM EZ WOODSHOP**

## **EZ BOOKCASE PLANNER**



**FIND OUT MORE**

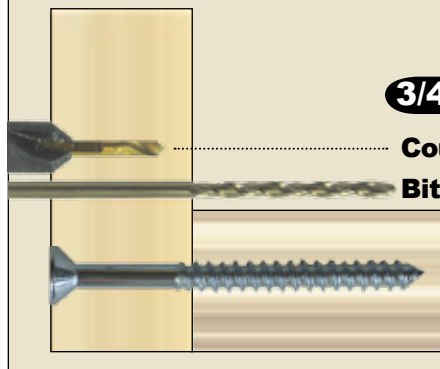
**FACE JOINTS**



**3/4" to 3/4"**

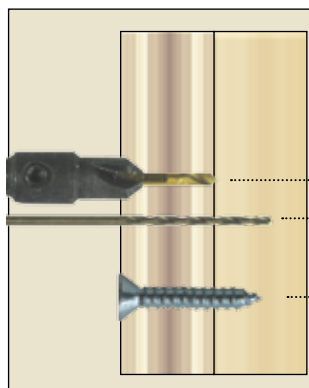
- Countersink #8
- Bit 3/32" (softwood)  
7/64" (hardwood)
- Screw #8 x 1 - 1/4"

**END JOINTS**



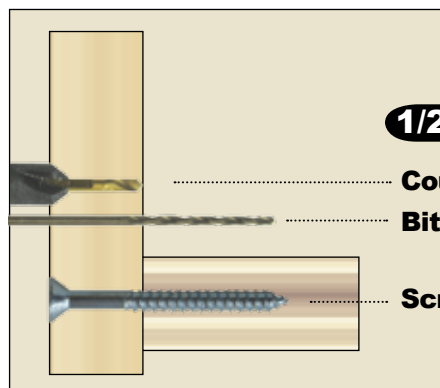
**3/4" to 3/4"**

- Countersink #8
- Bit 3/32" (softwood)  
7/64" (hardwood)
- Screw #8 x 2"



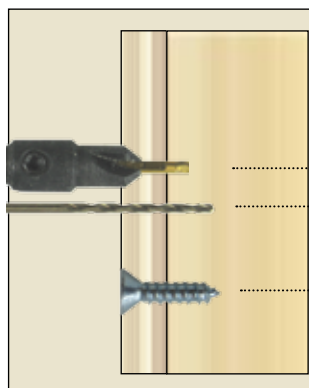
**1/2" to 1/2"**

- Countersink #6
- Bit 1/16" (softwood)  
5/64" (hardwood)
- Screw #6 x 3/4"



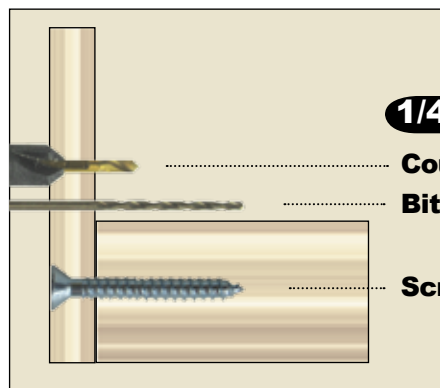
**1/2" to 1/2"**

- Countersink #6
- Bit 1/16" (softwood)  
5/64" (hardwood)
- Screw #6 x 1 - 1/4"



**1/4" to 3/4"**

- Countersink #6
- Bit 1/16" (softwood)  
5/64" (hardwood)
- Screw #6 x 1/2"



**1/4" to 3/4"**

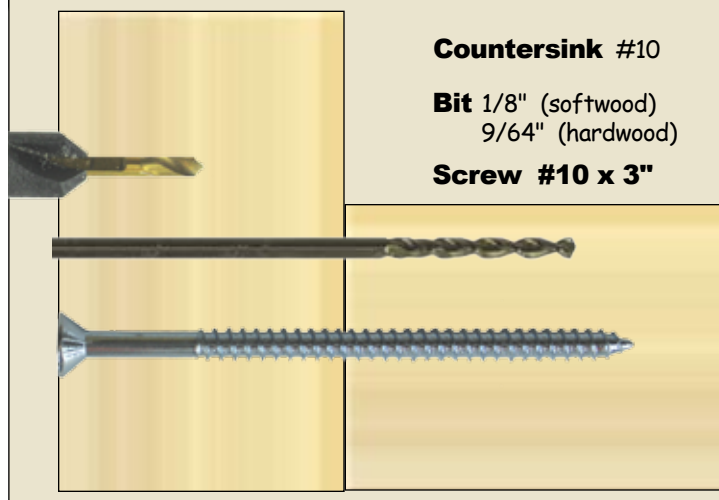
- Countersink #6
- Bit 1/16" (softwood)  
5/64" (hardwood)
- Screw #6 x 1"

**2X4 FACE JOINT**



- Countersink #10
- Bit 1/8" (softwood)  
9/64" (hardwood)
- Screw #10 x 2-1/2"

**2X4 END JOINT**



- Countersink #10
- Bit 1/8" (softwood)  
9/64" (hardwood)
- Screw #10 x 3"